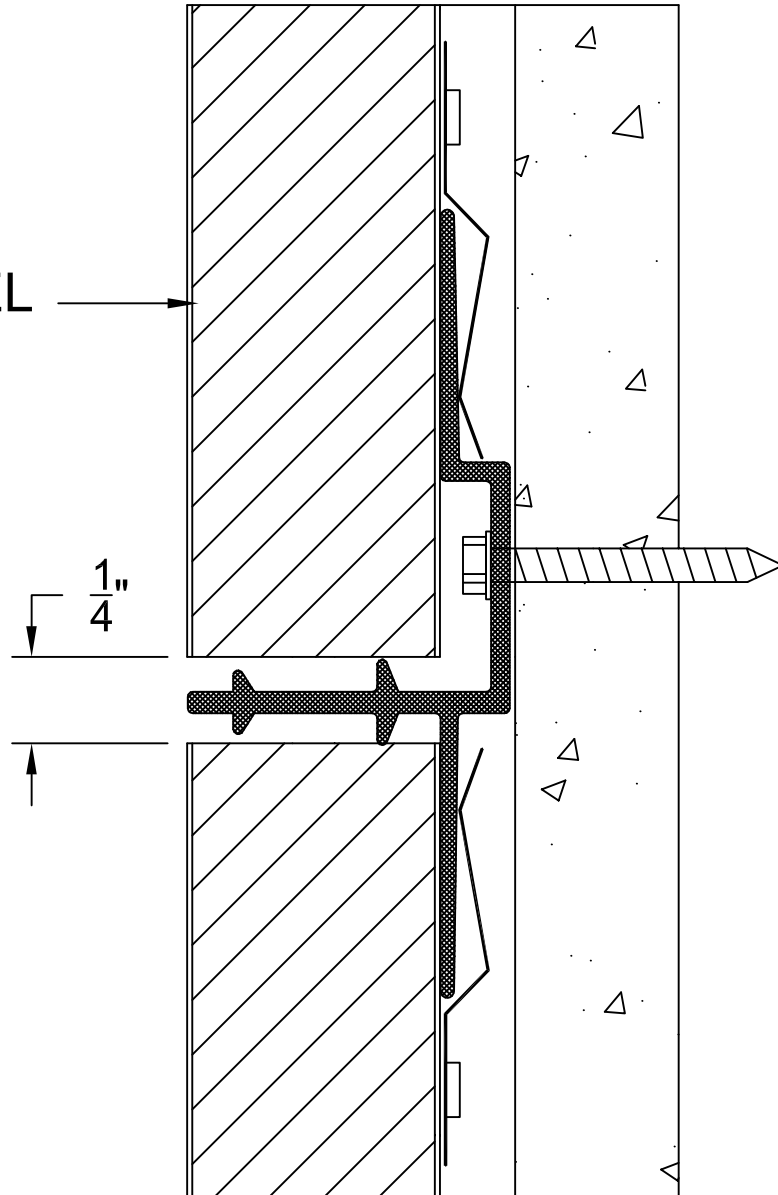


SURFACE SYSTEMS (MAP)

SYSTEM 40

3/4" THICK PANEL



NARROW MAIN RAIL

A