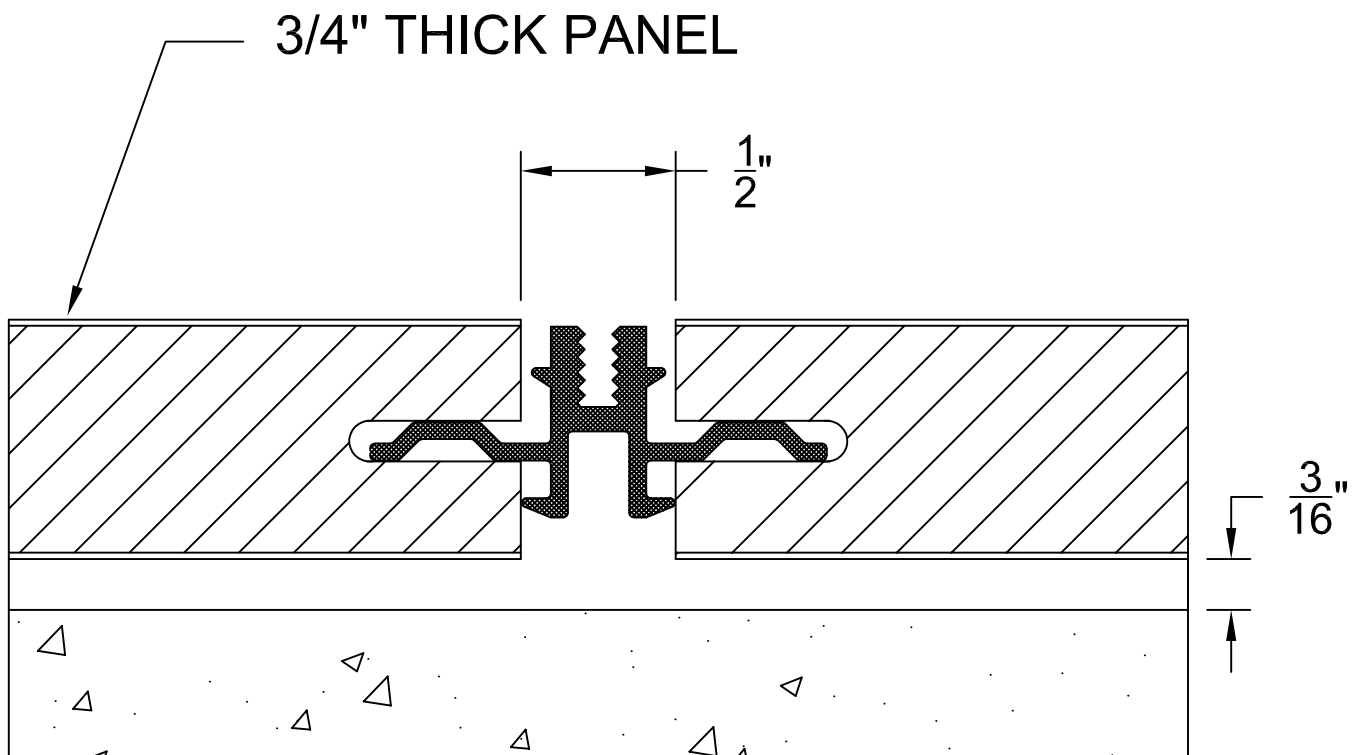


SURFACE SYSTEMS (MAP)

SYSTEM 30



CHANNEL CROSS SPLINE

B