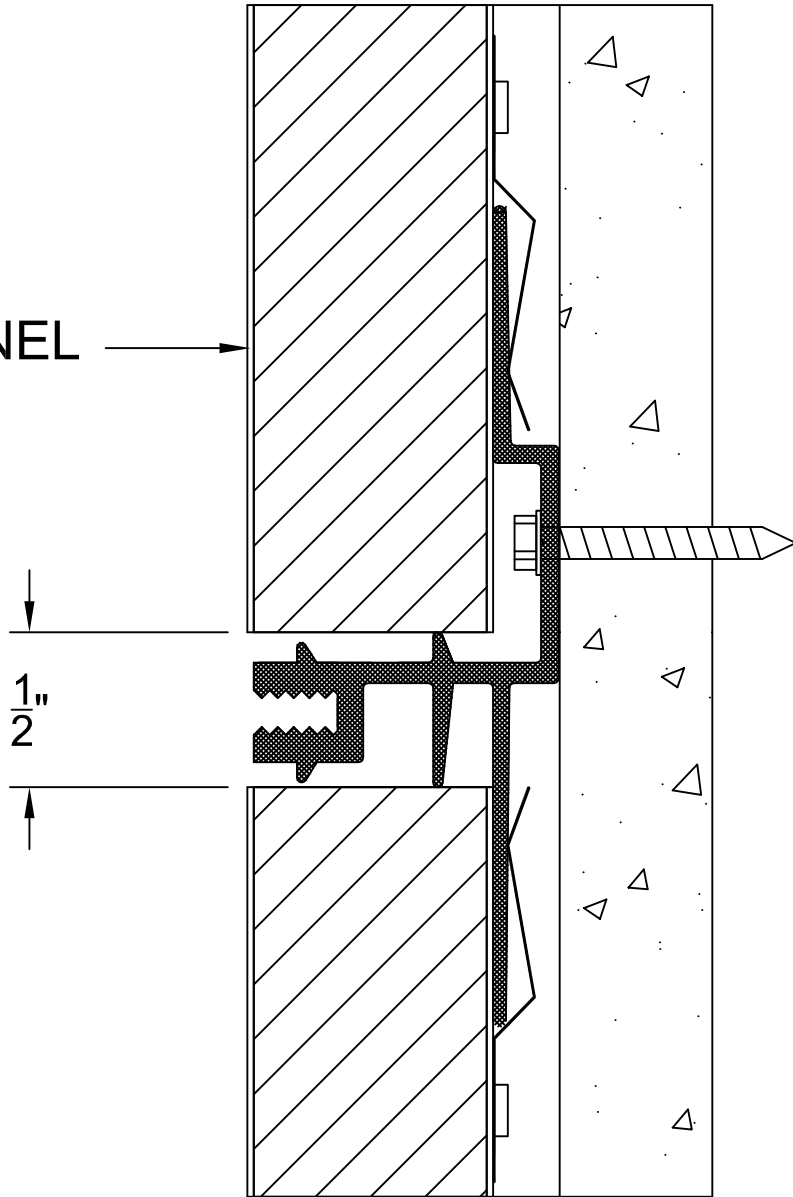


SURFACE SYSTEMS (MAP)

SYSTEM 30

3/4" THICK PANEL



CHANNEL MAIN RAIL

A