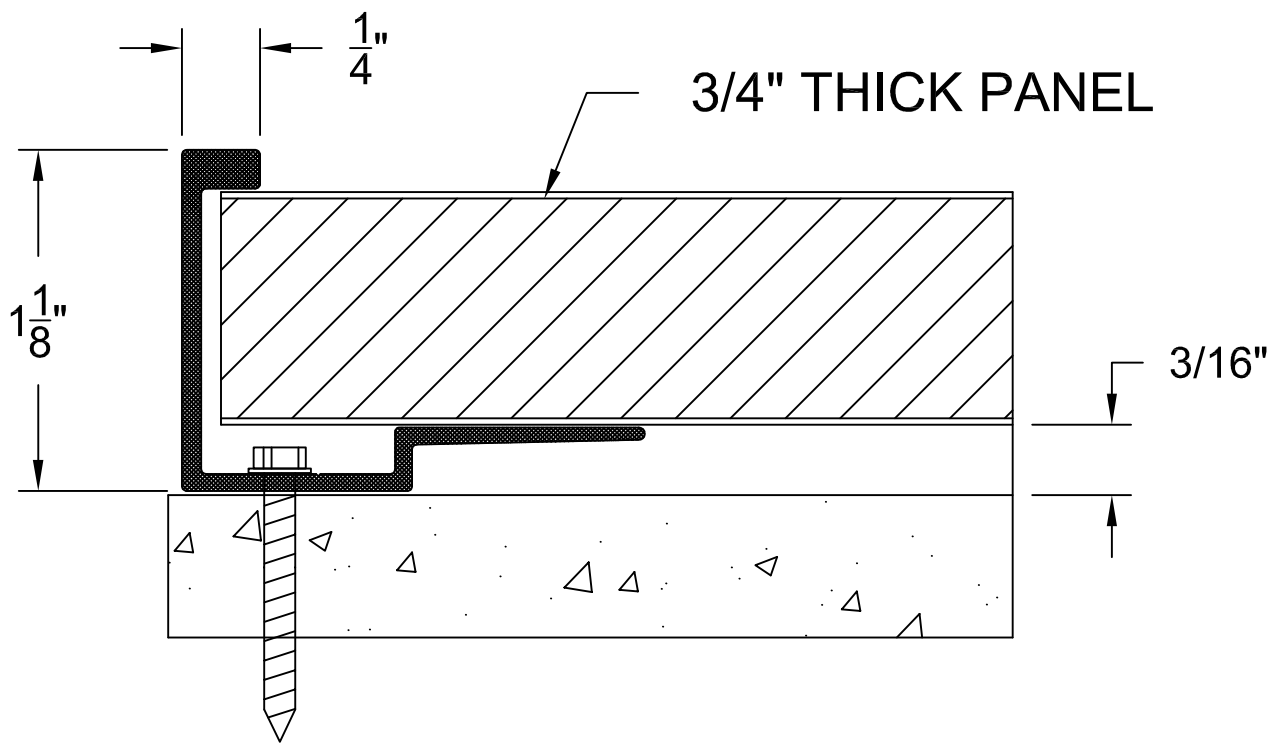


SURFACE SYSTEMS (MAP)

SYSTEM 10



VERTICAL EDGE DETAIL - NL-770 EDGE TRIM

C