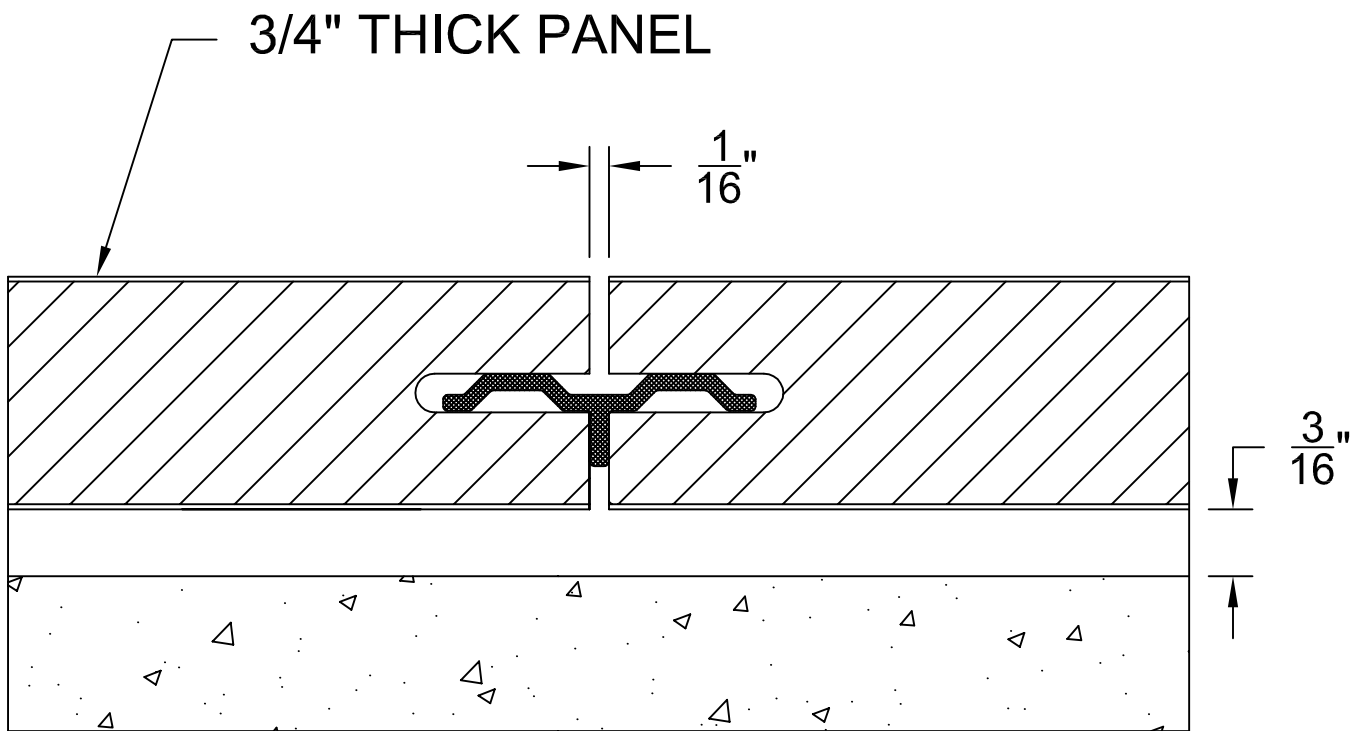


SURFACE SYSTEMS (MAP)

SYSTEM 10



HIDDEN CROSS SPLINE

B