

Marlite Plank™

Installation Instructions

Statements expressed in this technical bulletin are the recommendations for the application of Marlite Decorative Wall products as outlined and illustrated under normal conditions of installation. The recommendations provided in the bulletin represent our best judgment based on our experience with normal applications. Unless prior approval is obtained in writing from Marlite, any deviation from these recommended procedures shall be at the sole risk of the installers.

Important

Read all Installation Instructions prior to any installation. Call the Marlite Customer Service nearest you with any questions.

Inspection

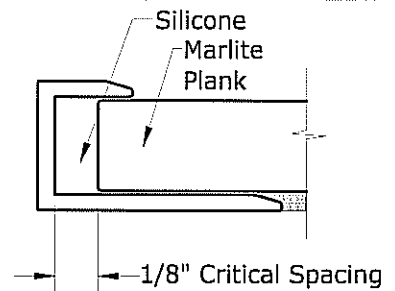
Open cartons and carefully inspect all Marlite Plank. If material is found defective, notify the Customer Service Center immediately. Failure to do so shall be at the sole risk of the installer. Do to textures, woodgrain patterns, materials and manufacturing techniques, some panels may vary in color consistency, tone and pattern. These variations are not to be considered as defects.

Conditioning and Expansion

Plank, like all wood products, Marlite wall panels must avoid exposure to temperature and humidity extremes. To insure product performance, a temperature range of 60°-80° F and a humidity range of 35-55% must be maintained during installation and product life cycle. Plank must be given 48 hours to condition to room environment. This is accomplished by standing the Plank on their shortends around the room. Special attention must be given when applying molding and trim. **SILICONE SEALANT AND A MINIMUM 1/8" SPACING IS REQUIRED IN ALL MOLDING AND TRIM CHANNELS.**

Sub Wall Preparation

The sub wall must have a vapor barrier to prevent any moisture from contacting the Plank. Sub wall must be straight and plumb. It must be dry, clean and free of any dirt and debris such as drywall dust.



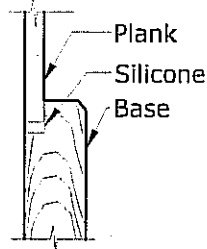
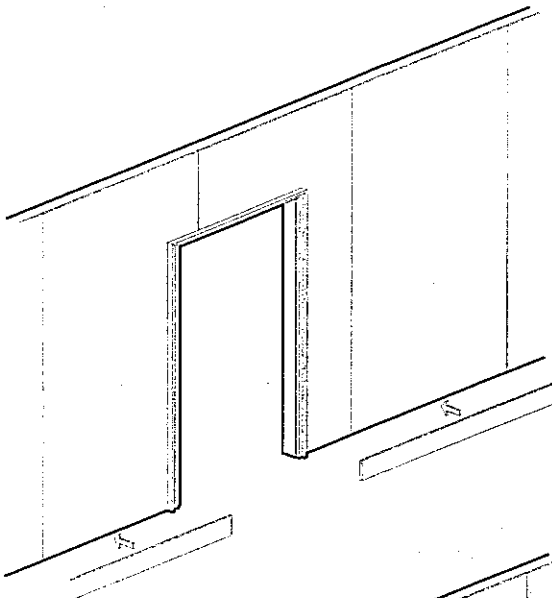
Adhesive Transfer

It is important to inspect for proper adhesive transfer during the installation of the Plank. Always apply Marlite Brand C-375 to Plank back. Adhesive transfer is accomplished by applying the adhesive to the back of the Plank, pressing the Plank to the wall, and then pulling the Plank away from the wall. Strings of adhesive should span from the sub wall to the Plank.

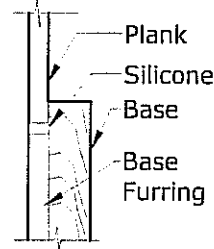
Paint/Stain Dates

Never mix paint/stain dates. Color will vary from production run to production run. Be sure that all dates printed on the cartons are identical. Be sure to inspect all Plank prior to installation. Failure to do so will be at the sole risk of the installer. Any discrepancies must be communicated to the Customer Service Center nearest you at once. Paint/Stain dates appear on the short end of each Plank carton.

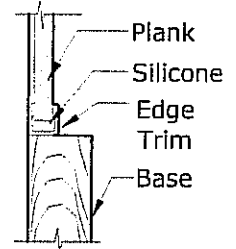
Base molding shall be installed prior to Marlite Plank installation. If not using Marlite Wood Molding, base may require furring of 1/4" to receive Plank. Be sure to apply silicone to the base rabbet to seal edge of Plank.



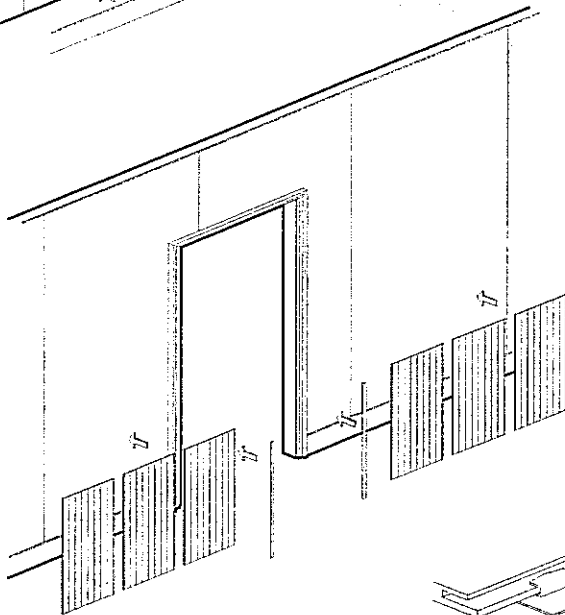
Marlite Base Molding



Non-Marlite Base Molding

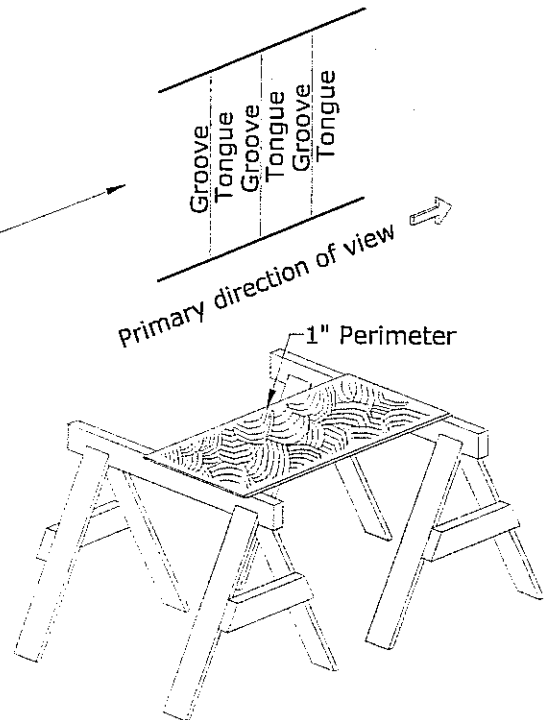


Existing Base Molding



Typical Clip Application

Clips should be installed every 16"-18" vertically



Typical Adhesive Application

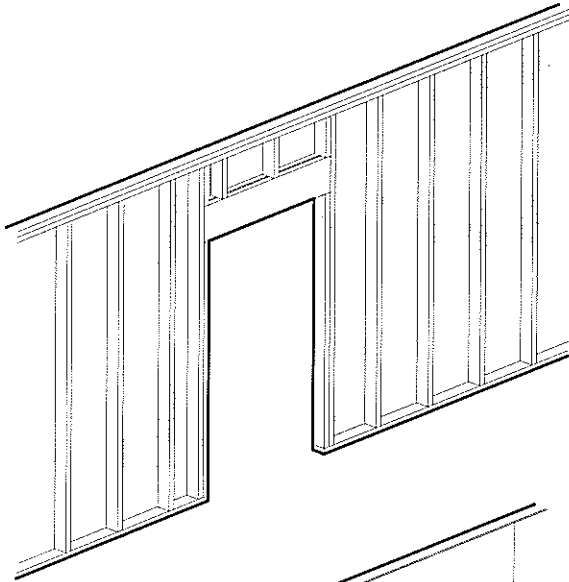
Adhesive Application

Marlite Plank is installed by applying C-375 Marlite Construction adhesive to the back of each panel. The use of a solvent-based adhesive is required. Apply adhesive using the notched spreader provided. Adhesive is applied to the entire back of each panel, except approximately 1" at edges. Panels must be installed while the adhesive is fresh. The maximum open time for the adhesive is 10 minutes at 70° F. Adhesive coverage is 210 square feet per 3.5 gallon can. DO NOT APPLY ADHESIVE TO THE WALL ONLY.

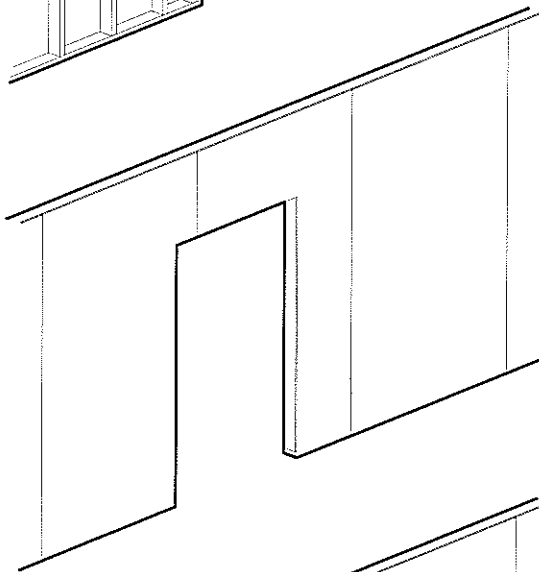
For faster bonding, apply C-375 Adhesive using the Cohesive Technique. Apply a thin skin coat of adhesive to the wall using the flat edge of the spreader provided. Allow the adhesive to skin over approximately 10-15 minutes. Apply full coverage to the back of each panel using the notched edge of the spreader. Apply panel to wall.

If using Marlite C-702 Construction Adhesive Cartridges, adhesive is applied in a serpentine pattern. Apply a .25" bead around the entire perimeter and then snake down the panel every 4"-6". 87 lineal feet per 29 ounce cartridge.

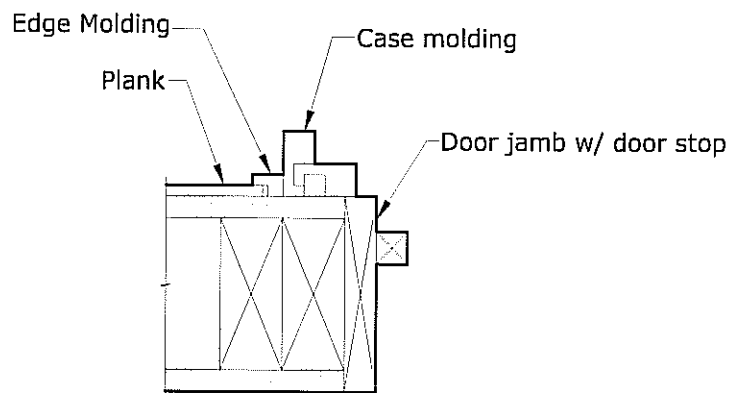
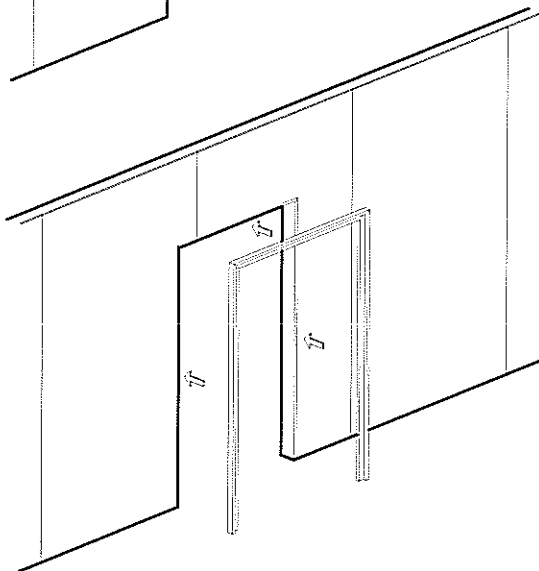
Typical Wall Construction



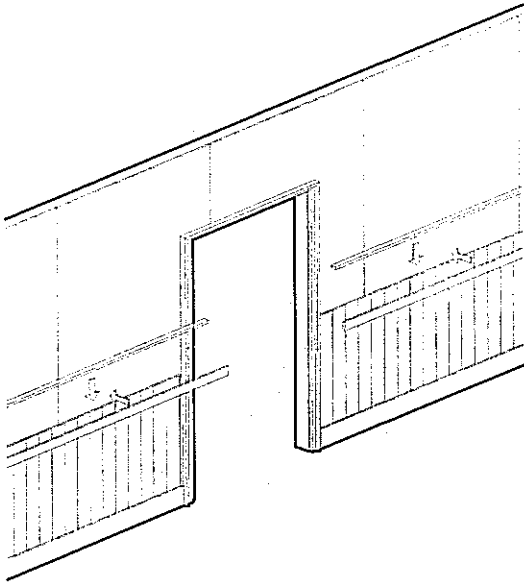
All framing shall follow Local, State, and National building codes and regulations, and shall conform to industry standards of construction.



The sub wall shall be securely fastened to the framing. Appropriate sub wall materials are gypsum wall board and/or plywood. Other materials may be acceptable with special preparation or conditions. Contact the Customer Service Center nearest you for written approval for application.



All door casing, window trim, and additional accent trim shall be installed prior to Marlite Plank installation.



Following the adhesive application, Marlite Plank shall be placed to the wall and held in place with the included retaining clips. The clips are not designed to properly space the Plank, but rather hold the Plank in place until the adhesive sets. The clips are installed on the groove side of each Plank. See detail for clip application.

Never nail through Marlite Plank.

When applying molding, be sure to use silicone sealant on all raw edges of the Plank. Moldings shall be applied with mechanical fasteners.

Never nail through Marlite Plank.

Touch up paint and stain is available in 1/2 oz. and pint containers. Contact the Customer Service Center nearest you to order.

Aluminum Trim Profile

M-451 Inside Corner



M-465 Division



M-460 Outside Corner



M-453 135° Outside Corner



M-452 135° Inside Corner



M-470 Edge

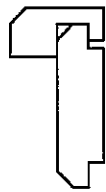


Wood Molding Profiles

WG 474 Chair Rail



WG 946 Combination



WG 475 Chair Rail



WG 1261 Base



WG 1647 I/C-O/C Corner



WG 2620 Edge



* Note: WG 946 Combination can be assembled using WG 474 & WG 475.



Dover, Ohio 44622
330.343.6621
Website: www.marlite.com
e-mail: info@marlite.com

Effective Date 08-01-06
Form No. PK39-08061

Copyright 2006 Marlite, Inc.
Marlite Brand Plank is a trademark of Marlite