

Marlite

Phenolic Restroom Partitions Installation Instructions

Statements expressed in this technical bulletin are the recommendations for the application of Marlite Specialty Products as outlined and illustrated under normal conditions of installation. The recommendations provided in the bulletin represent our best judgment based on our experience with normal applications. Unless prior approval is obtained in writing from Marlite, any deviation from these recommended procedures shall be at the sole risk of the installers.

Important

Read Installation Instructions completely prior to any installation. Call the Marlite Customer Service nearest you with any questions. Service Centers are listed on final page.

Inspection

Carefully inspect all panels prior to installation. If panel is defective, notify Marlite at once. Failure to do so shall be at the sole risk of the installer.
Tolerance: $\pm 1/32"$ (.035)

Conditioning and Expansion

Restroom Partitions, like all wood products, are subject to the effects of moisture. Panels must be stored in a dry environment. Store panels flat and off concrete floors. Panels must be given 48 hours to condition to room environment. This is accomplished by standing panels around the room. Room temperature should be approximately 70° F.

Caution

Be sure to use proper safety guards when cutting panels. Wear safety glasses, face shields, and hand protection. Take proper precautions for dust removal.

Recommended Tooling

Standard carpentry tools: drill, screwdrivers, level, square, ladder, tape measure.
Circular saw with a sharp fine tooth carbide blade.
Drill bits: 3/16", 1/4", 7/16", 15/64", 17/64" high-speed drill bits, 1/4" masonry.
7/16" open end wrench.

Clean-Up

Restroom Partitions can be easily cleaned with a damp cloth and mild soap. Do not use abrasive cleaners.

Assembly Instructions

Make certain you are familiar with all hardware packs, their contents and use before proceeding. Due to the customized nature of restroom partition systems, the following step by step instructions are intended to be used as a guideline. Certain types of installations and unique site conditions may not be covered specifically. To insure an attractive installation, be sure to plan and familiarize yourself with all components. Check the shop drawing before cutting and drilling.

Wall structures should include proper blocking for mouting of brackets with enclosed fasteners.

Note: If blocking is not available, appropriate anchors should be used for proper installation.

Layout

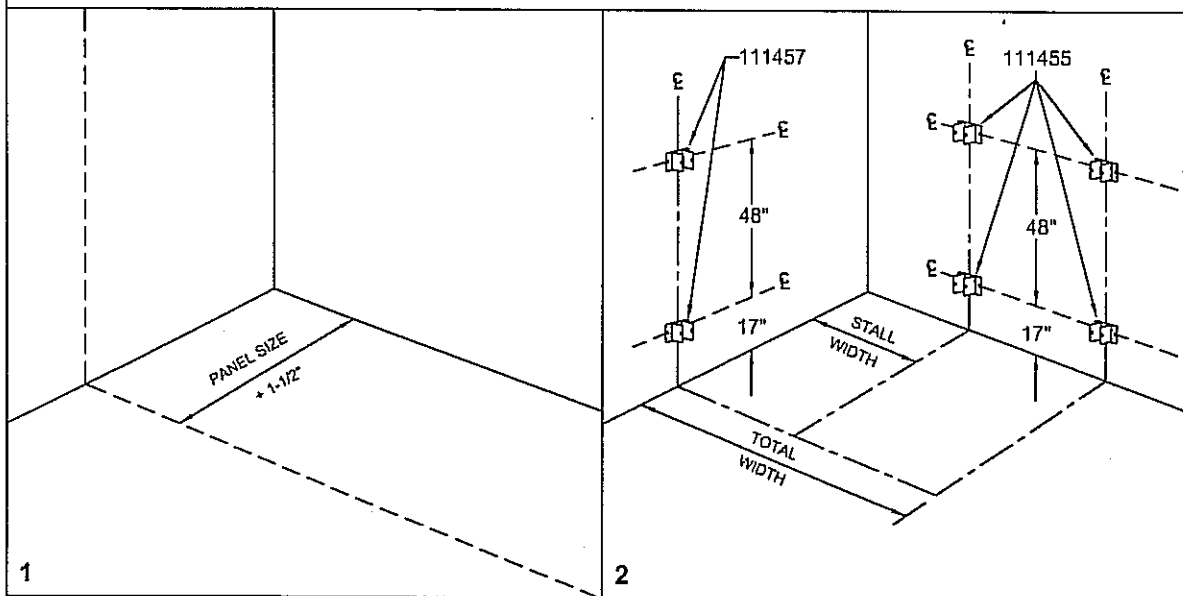
1. Review the shop drawings to determine the depth and style of the restroom partition system. By placing on the floor, layout on the floor the centerlines of the panels and pilasters. Mark on the floor the location of the pilasters to assist in determining the proper layout. Mark on the walls the location for the panels and pilasters.

See Fig. 1

2. Refer to the shop drawings to select the correct brackets. Mark the centerlines of the brackets and be sure the markings are straight and true to the floor. Place the bracket anchors in blocking or mortar joints where possible. The first bracket should be 17" off the finished floor to the centerline of the bracket. The next bracket should be 48" above the centerline of the first bracket. Mark the anchor positions using the proper bracket as a template. Drill $17/64$ " holes and insert the plastic anchors. Mount the #111457 pilaster bracket to the wall with #12 x 1-1/2" Phillips screws. Mount the #111455 panel bracket to the wall.

See Fig. 2

NOTE: (Also Available) #111458 - 1-ear pilaster pak #111456 - 1-ear panel mount pak



Pilasters

HARDWARE PACK

#111457 2-EAR

#111458 1-EAR

3. Starting at the existing sidewall mark the actual width of the individual pilasters along the depth line determined in Step 1. Refer to the shop drawing for the size and location of each pilaster. (Allow $1/2"$ between the sidewall and the first pilaster.) The distance between pilasters is determined by adding $3/8"$ (hardware clearance) to the actual door size.

See Fig. 3

Corner or open alcove units: At the outside corner of an installation, locate the outside edge of the pilaster $3/8"$ beyond the centerline of the panel.

See Fig. 4

4. Slide the shoe cover up the pilaster approximately $12"$ and tape in place temporarily.

NOTE: The pre-punched hole in the shoe cover should be placed toward the inside of the stall.

On the floor, using the pilaster as a template, locate the two pre-drilled holes at the bottom end of the pilaster. Drill $1/4"$ diameter holes in the floor $3"$ deep. Insert the stud anchors leaving $1-1/2"$ above the floor line.

See Fig. 4, 5

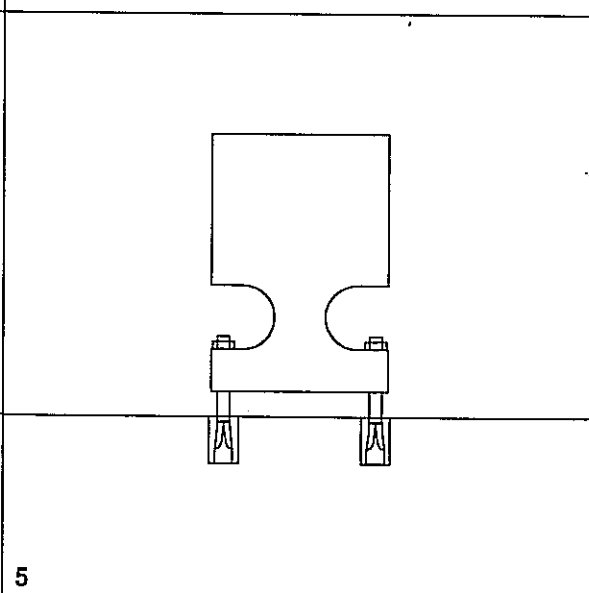
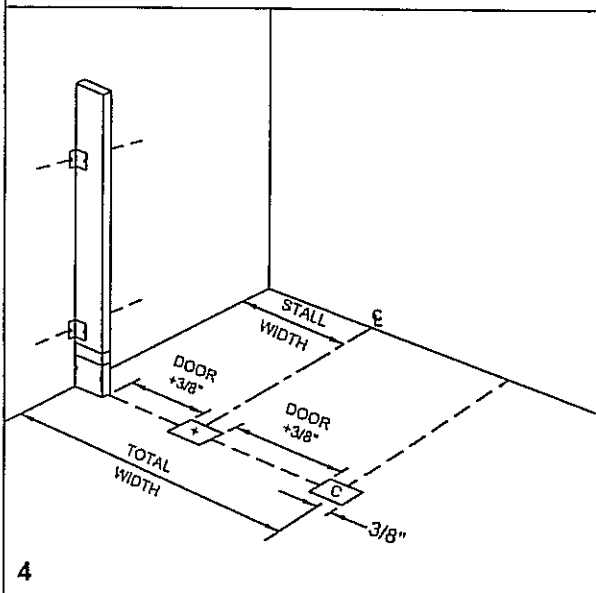
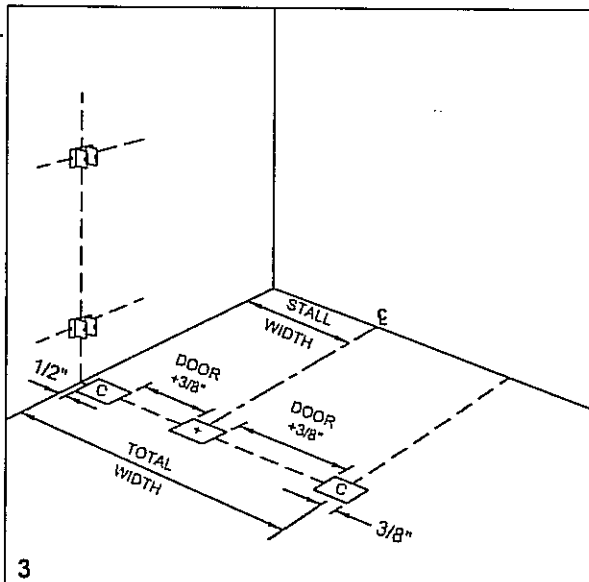
5. Install the pilasters that are against the wall first. Plumb and level the pilaster to the proper height.

The height of the pilaster should be approx. $81"$ to the top from the floor. Next, locate and drill the holes for the #111457 pilaster bracket. This will be a $1/4"$ hole through the bracket and pilaster.

Secure the pilaster to the bracket by using the shoulder and barrel nut sets provided. Install screw through shoe cover to secure to pilaster.

See Fig. 4, 5

6. Continue to install the remaining pilasters using the same method as outlined above.



Headrail

HARDWARE PACK
#101628

7. Once all of the pilasters are secured to the floor, secure them together with the aluminum headrail. Double check each pilaster to be sure they are plumb before securing the aluminum headrail and position it on the top of the pilasters. Mark and cut the aluminum headrail to fit flush at the wall, and miter or butt joint at the outside corner. Drill 3/16" clearance holes down through overhead bracing at least 2" from the wall, miter or butt joint and into the center of each pilaster. Drill 3/16" pilot hole 1-1/2" deep into top edge of pilaster. Mount headrail to pilasters with #14 x 3" hex head lag bolts.

Secure the aluminum headrail to the wall by using the #101628 headrail wall brackets. Locate the brackets on the inside of the stall for the visual effect. Using the brackets as a template, mark the wall and drill 3/16" holes in the headrail and 1/4" holes into the wall. Insert the plastic anchors in the wall holes. Locate the bracket and secure to the wall with #12 screws. Secure the bracket to the aluminum headrail with #14 screws.

The outside corner must be secured with the same bracket. Again, locate the bracket as a template and drill 3/16" holes into the headrail. Secure the bracket to the aluminum headrail with #14 screws. Fig. 6

Note: Wall to wall and closed alcove units are supplied with aluminum headrail bracing across the front of the unit(s) only. Corner and open alcove units are supplied with aluminum headrail bracing across the front and across the end panel.

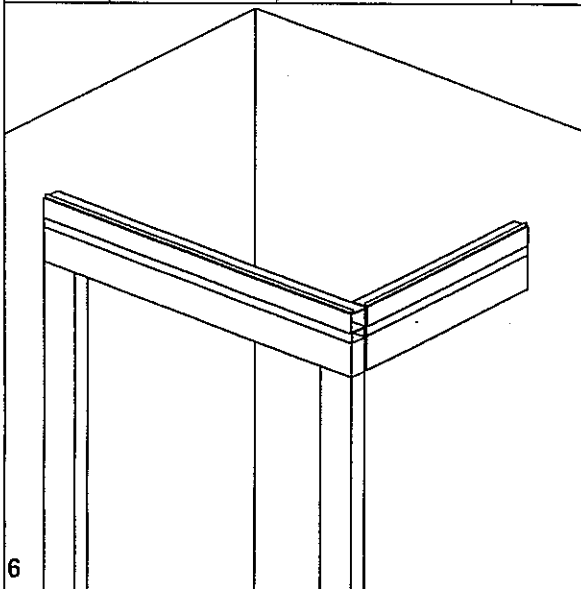
Panels

HARDWARE PACK
#111455 2-EAR
#111456 1-EAR

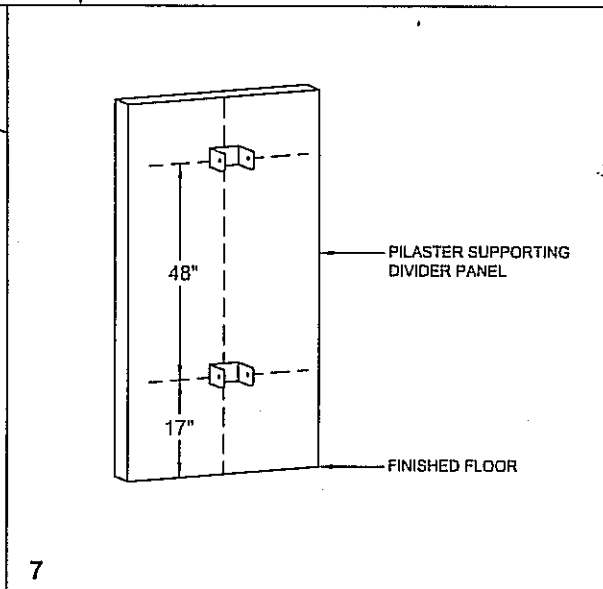
8. To secure panels to the wall and pilasters, set two-12" supports in place per Fig. 8. You will need to locate the U-bracket (found in the #111455 hardware pack) on the pilasters per Fig. 7. The location height of each bracket should be the same as the wall brackets; 17" to the first bracket and 48" above the first bracket to the second bracket. Using the U-bracket as a template, drill a 3/16" hole into but NOT through the pilaster. Then secure the bracket to the pilaster with #12 screws. Slip the panel into place and rest it on the two-12" supports. Then, using the brackets as a template, drill a 1/4" hole through the panel. Secure the panel with the shoulder and barrel nut sets. Position the #111455 wall brackets. Check for the panel to be plumb and level. Secure the brackets to the wall using the #14 screw and anchor. Using the brackets as a template, drill a 17/64" hole through the panel. Secure the panel with the shoulder and barrel nut sets.

See Fig. 7,8

NOTE: (Also Available) #111456 - 1-ear panel mount pak



6



7

Alcoves

HARDWARE PACK
#111459

9. For the open and closed alcove units, mount the #111459 panel wall brackets as shown. Allow 1/2" at wall to plumb panel. Pilaster should be installed previously but may need to be adjusted. Position the 12" support and slip the panel into place. Check the panel for plumb and level. Fit the panel as tight to the pilaster as possible to insure privacy in the stall and strength of the installation.

Position alcove clips 17" above floor and 48" to the centerline of the second bracket as shown. Using the alcove clips as a template, drill 1/4" holes through the panel and pilaster. Secure the clips to the panel and pilaster with the shoulder and barrel nut sets provided.

Then drill 1/4" holes through the panel using the wall bracket as a template. Secure the panel to the wall brackets using the shoulder and barrel nut sets provided.

See Fig. 9

Doors

HARDWARE PACK
#135795 SS INSWING PACK
#128040 SS OUTSWING PACK

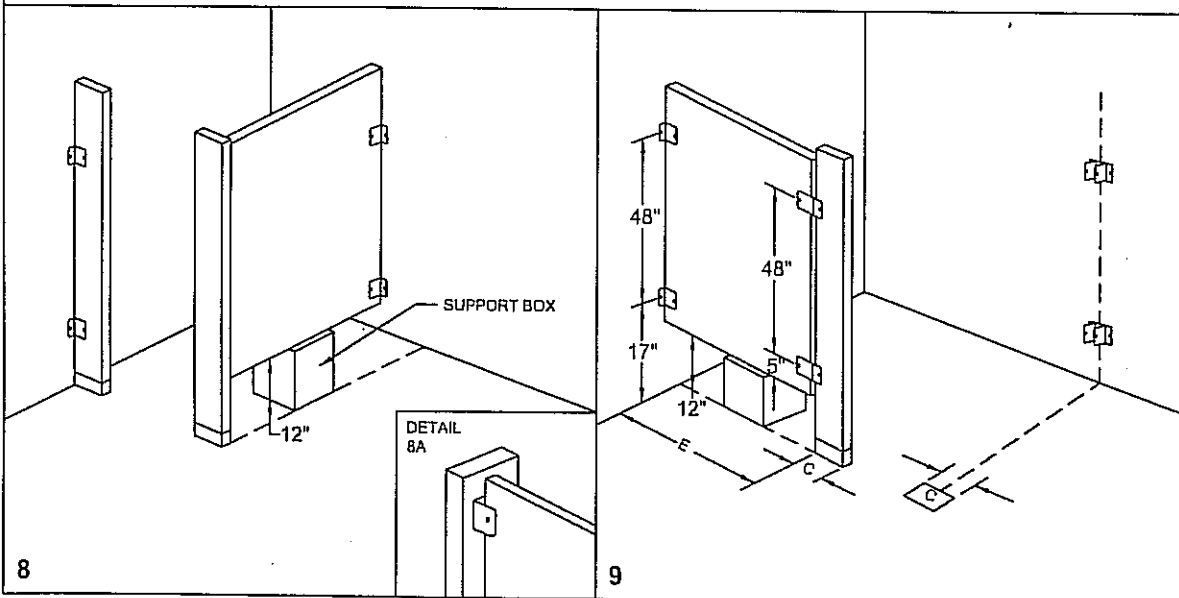
10. Refer to the shop drawing to determine the size and location of each door. Refer to the drawing to determine the swing and hinged side of each door. Layout each door at the proper location and mark the swing and hinge position. Locate the hinge hardware required, as shown, on the door and drill 1/4" holes through the door. Secure the hinge to the door 2" from the top or bottom edge with the shoulder barrel and nut sets provided. Then, place the 12" support in the door opening and position the door into place. Next, locate and secure the top hinge leaf on the pilaster. To position this correctly, place it snug, then raise it 3/8"; this is required to allow the door to open properly.

See Fig. 10

To locate the strike and keeper, measure 39" from the floor on the pilaster; center the strike and keeper. Mark the pilaster by using the strike and keeper as a template. Drill 1/4" holes, then secure it to the pilaster with the shoulder and barrel nut sets provided.

See Fig. 10

To locate the slide latch, fully extend the latch and locate it so that you allow for emergency access. Keep in mind that the door is lifted up and swings out for emergency access.



Doors (cont.)

The coat hook is installed on the inside door face. To position the coat hook, find the center of the door width and mark. Then 3" down from the top of the door, using the door hook as a template, drill a 17/64" hole 3/8" deep and secure with #14 screws.

HOW TO ADJUST THE DOOR IN THE CLOSED OR HOME POSITION

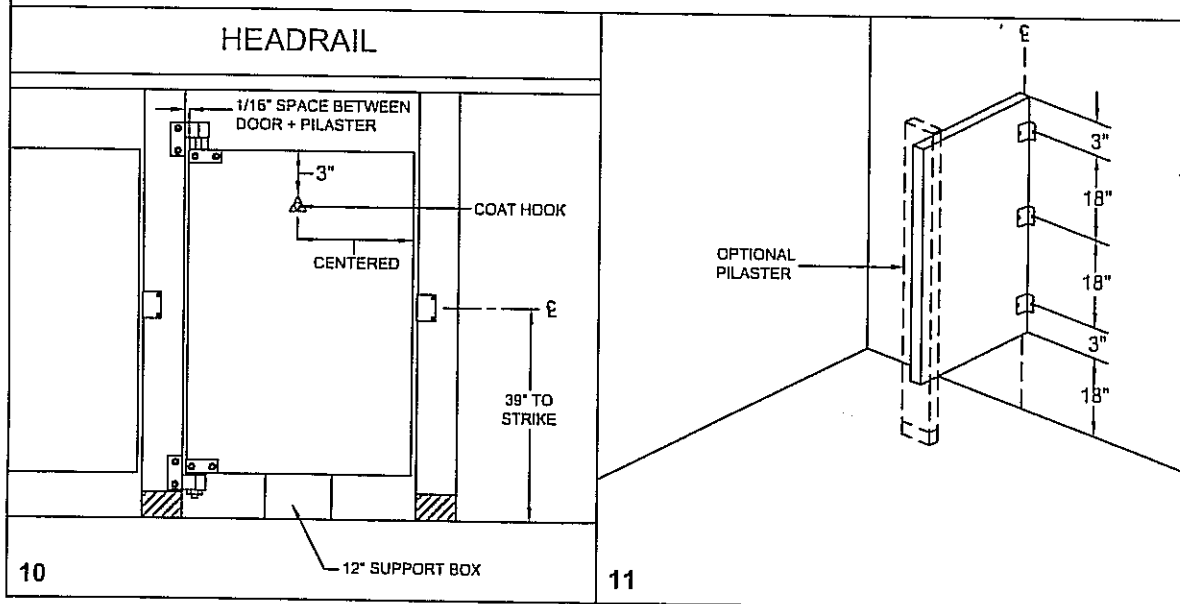
To adjust the closed or home position of the door, simply pull the retainer spring off the bottom hinge, raise the door up, push the nylon gear and rotate. Drop the door down and check to see if it is adjusted properly. If not, repeat. When finished, reinstall the snap retainer spring to hold the nylon gear in place.

Screens

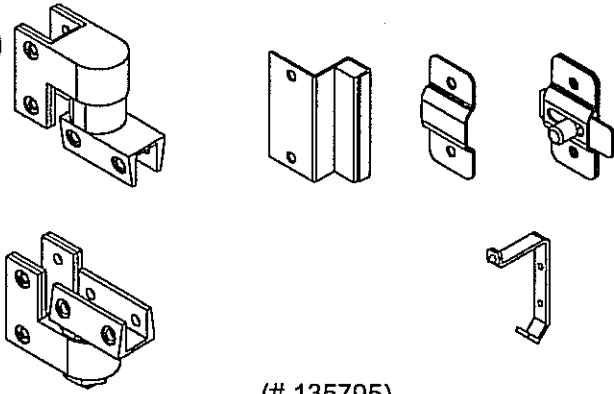
HARDWARE PACK
#111460

11. Mount the 42" high urinal screen panel 18" above the finished floor, using the 12" and 6" support. Locate the first #111460 wall bracket 21" above the floor to the centerline. The second bracket to be 18" above the first centerline. The next bracket is to be 18" above the middle bracket to the centerline. Using the bracket as a template, locate and drill 17/64" holes and insert the plastic anchors. Be sure the brackets are plumb. Secure each bracket to the wall. Reposition the panel into the brackets (18" off floor) and drill a 1/4" hole through the panel using the brackets as templates for the proper location. Secure the panel to the bracket with the shoulder and barrel nut sets provided. See Fig. 11

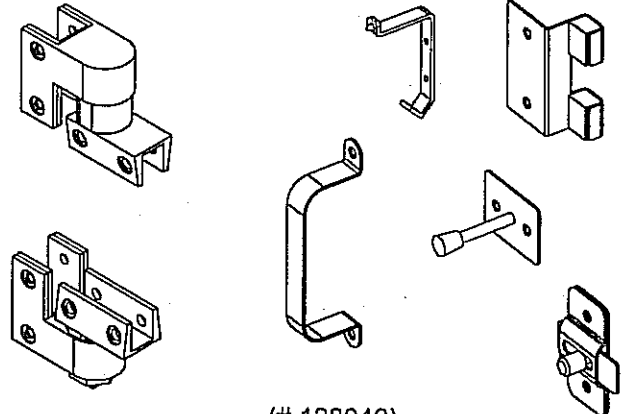
Note: For custom size urinal screens, the first bracket is to be located 57" from the finished floor to the centerline of the bracket. Mark the center of the urinal screen and place the center of the second bracket in this location. Measure 3" from the bottom of the urinal screen for the center of the last bracket. See Fig. 11



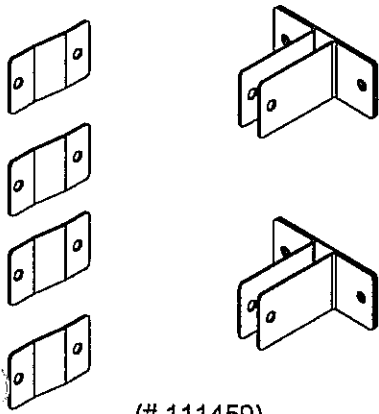
Hardware Details



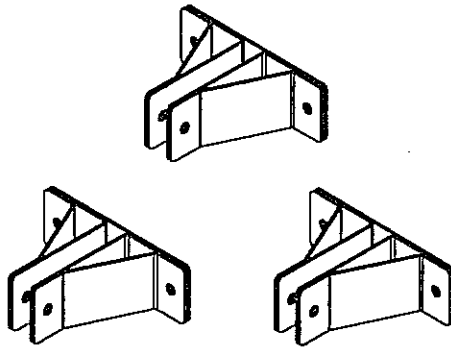
(# 135795)
SS INSWING DOOR PACK



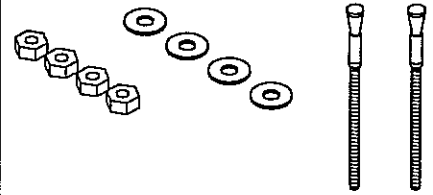
(# 128040)
SS OUTSWING DOOR PACK



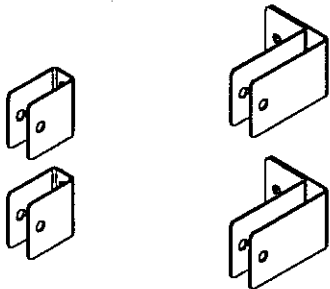
(# 111459)
ALCOVE PACK



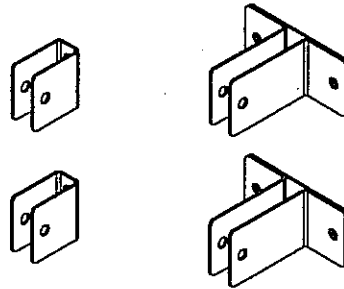
(# 111460)
SCREEN PACK



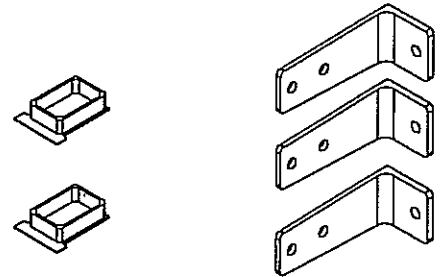
(# 113247)
STUD ANCHOR 3-1/4" PACK



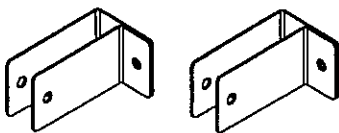
(# 111456)
PANEL PACK (1-EAR)



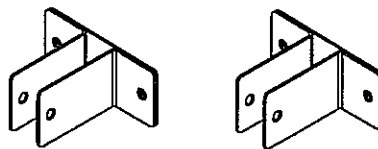
(# 111455)
PANEL PACK (2-EAR)



(# 101628)
OVERHEAD BRACE PACK



(# 111458)
PILASTER PACK (1-EAR)



(# 111457)
PILASTER PACK (2-EAR)

Service Centers

CORPORATE HEADQUARTERS

202 Harger Street
Dover, OH 44622
Ph: (330) 343-6621
Fx: (330)-343-4731

SOUTHWEST OPERATION CENTER

1184 - 113th Street
Grand Prairie, TX 75050-2609
Ph: (972)-660-6443
Fx: (972)-641-9526

SOUTHEAST OPERATION CENTER

3715 Atlanta Industrial Parkway
Atlanta, GA 30331
Ph: (404)-691-1234
Fx: (404)-691-6915

WEST OPERATION CENTER

15120 Marquardt Ave.
Santa Fe Springs, CA 90670
Ph: (562)-926-7208
Fx: (562)-926-7308

MARLITE CANADA

201 Rowntree Dairy Rd
Woodbridge, Ontario L4L 8B8
Ph: (905)-856-3380
Fx: (905)-856-8165