



Installation Instructions and Details

HIGH-HUMIDITY: Marlite Modules panels are subject to the effects of moisture.
DO NOT USE IN KITCHEN, REST ROOMS, OR OTHER HIGH-HUMIDITY AREAS.

TOOLS REQUIRED: Regular carpentry tools, such as a level, block plane, sanding block, drill, table saw or circular saw with fine toothed carbide blade, chalk line, hack saw, tape measure, file, miter box, and square.

CAUTION: Be sure to use the proper safety guards required when cutting panels. Also wear safety glasses or face shields and hand protection. **NOTE –** Metal trim may produce sparks when cutting. Take proper precautions for dust removal.

WALL PREPARATION: Structural walls should be finished with building completely closed. Walls must be thoroughly dry before panels are applied. Panels must be applied over a smooth, solid, flat backing such as plaster, drywall or plywood. On exterior walls a vapor barrier should be used between backer and studs to discourage warping. Protect existing surfaces with drop cloths.

PREPARATION /HANDLING TIPS: Open cartons and carefully inspect all panels. Due to texture and manufacturing techniques, some panels may vary in color, consistency, and pattern. Panels must be stored in a dry environment. Store panels flat and off concrete floors.

CONDITIONING: All panels shall be allowed to equalize to the moisture and temperature in the room environment prior to installation. To ensure product performance, a temperature range of 60°-80°F and a humidity range of 35-55% must be maintained during storage, installation and product life cycle.

FABRICATION: Always cut panels “face up” with a fine-toothed carbide-tipped blade using a table saw or “face down” with a portable power saw using a fine-toothed carbide-tipped blade to assure a clean-cut edge.

ADHESIVE REQUIRED: Marlite Brand C-109 Low VOC adhesive is the adhesive recommended. This adhesive is a solvent based material and local code restrictions may require substitution. Any adhesive substitution must have the manufacturer’s approval. Clean tools with mineral spirits. Read caution label on adhesive package before use.

CLEANUP: Marlite Modules Panels are easily cleaned with a soft cloth, slightly damp (not wet) cloth and mild cleaners such as Pine Sol, Lemon Fresh Lestoil, or Mr. Clean

Adhesive can be cleaned from the face of panels using mineral spirits.

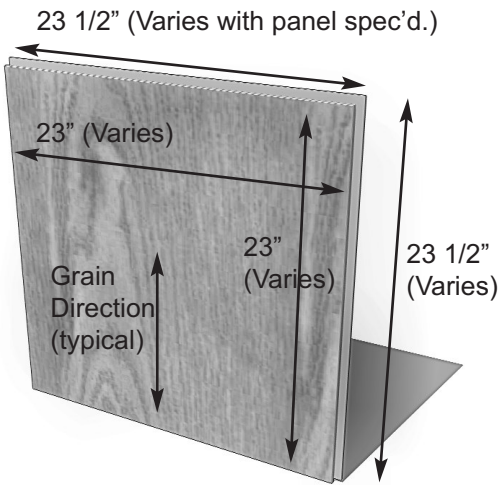
ALWAYS TEST THINNERS ON A PIECE OF SCRAP MATERIAL BEFORE USING ON WALLS.

Statements expressed in this technical bulletin are the recommendations for the application of Marlite brand products as outlined and illustrated under normal conditions of installation. The recommendations provided in the bulletin represent our best judgment based on our experience with normal applications. Unless prior approval is obtained in writing from Marlite, any deviation from these recommended procedures shall be at the sole risk of the installers. Carefully inspect all panels. If a panel is defective, notify the Marlite Service Center nearest you at once. Failure to do so shall be at the sole risk of the installer.

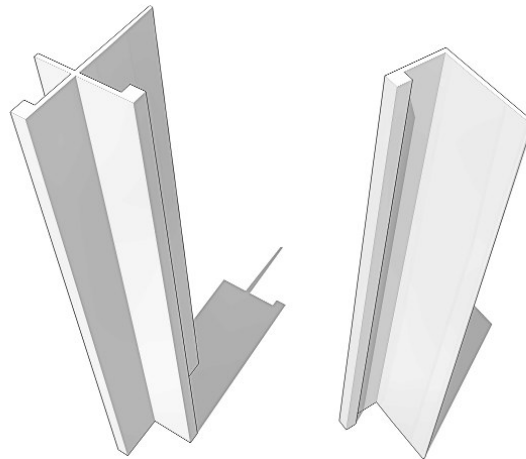
For technical assistance, or if you have any questions regarding your order, contact;
Marlite – Customer Service, 202 Harger Street, Dover, OH 44622
800-377-1221 E-mail info@marlite.com

NOTE! This is a general detail page. Not all details apply to every installation.

1. PANELS



2. TRIM

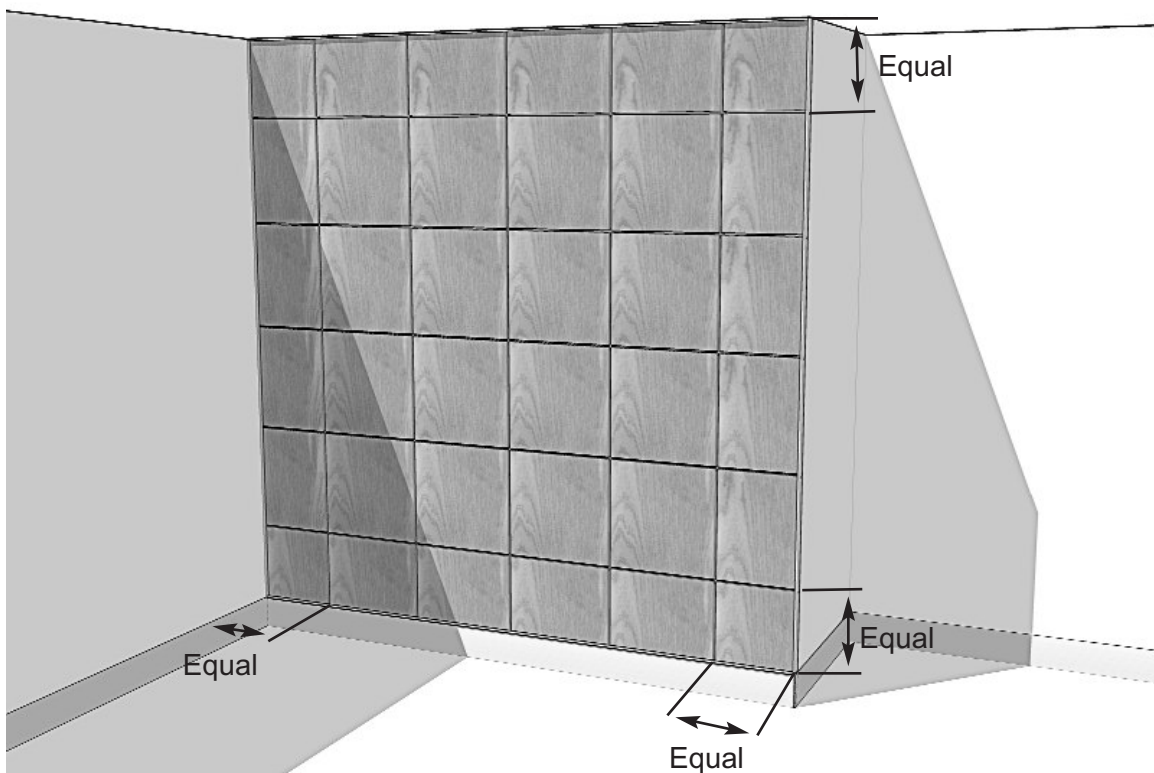


MT-560
Outside corner Trim
(10' length)

MT-570
Edge/Inside Corner Trim
(10' length)

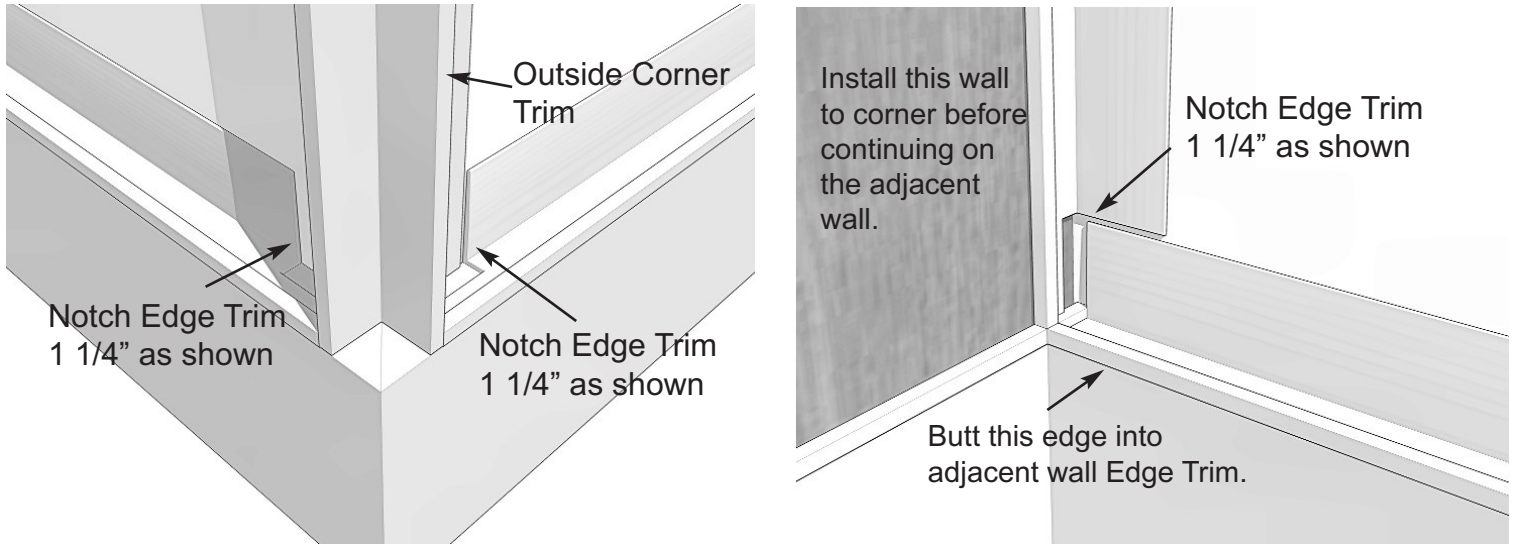
3. LAYOUT

See architectural elevation or elevation provided to determine layout and location of panel. To preplan a balanced layout, top & bottom panels should be equal in height and end panels should be equal in width (See Illustration). Marlite Modules Panels are random in texture and typical in color: this is intentional and to be expected. Care should be taken during installation to create a pleasing layout.



4. INSTALL TRIM

Check plans for proper treatment of all perimeter conditions. Install outside corner trim first. Next, dry fit edge trim by coping to fit profiles previously installed (miter-cut at intersections of edge trim). **DO NOT ALLOW TRIM FLANGES TO OVERLAP.** Secure edge trim to subwall by applying a bead of adhesive to the back of the trim flange and press into place. Avoid a heavy layer of adhesive to prevent squeeze-out and clean up problems. Use 2" strips of masking tape at 24" O/C for the length of the flange to hold until the adhesive cures.

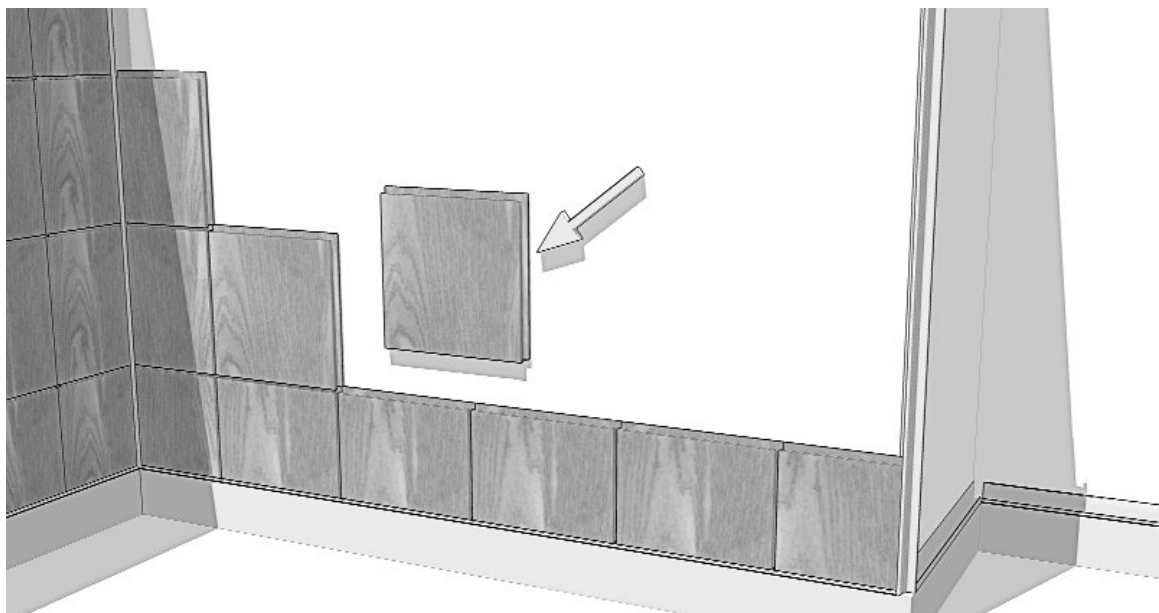


5. DRY FIT PANELS

Trim panels as required. Dry fit before applying adhesive to be sure size is correct. (See layout, Step 3) Locate the top of the first panel. Snap a level chalk line at this height for the length of the installation. Take measurements from chalk line to base trim along the wall. This dimension cannot exceed panel face dimension. Adjust the line if necessary. Scribe the bottom of the panel as required. Repeat these steps to create a vertical chalk line.

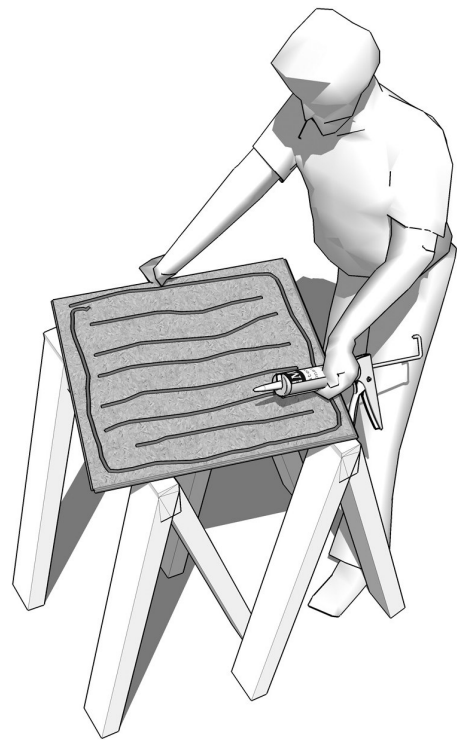
6. INSTALL PANELS

When working from left to right, start at the bottom left edge and install so that the tongue is on the top and right side.

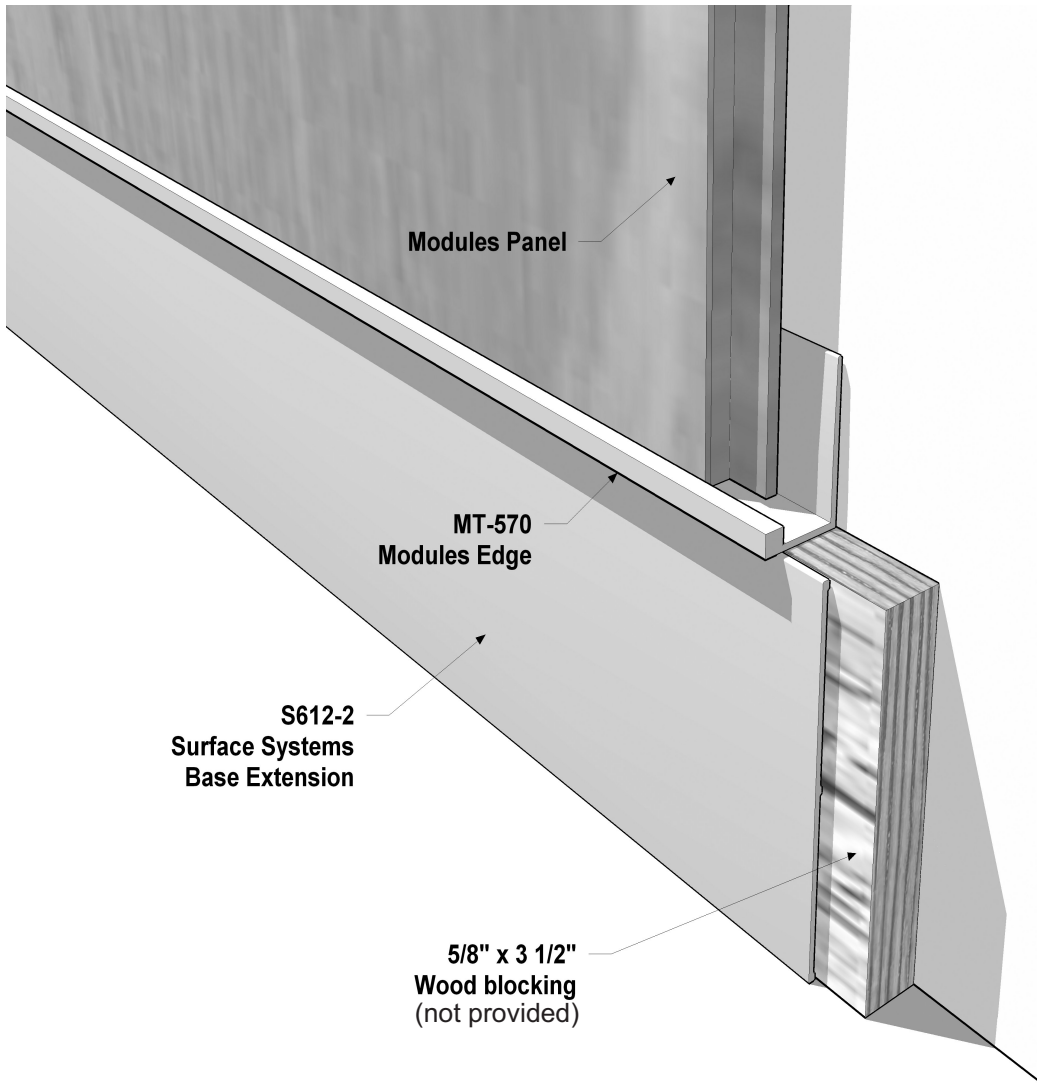


7. ADHESIVE

Pre-fit panels. Make all cutouts for outlet boxes, switches, etc. Apply a bead of Marlite Brand C-109 Low VOC Adhesive approximately 6" on center the full width of the panel as shown. Press and "knead" panels repeatedly to be certain of contact with the wall at all points. Fan the panel by pressing and pulling from the wall. This releases the adhesive solvents, thus allowing adhesive to set up more quickly.

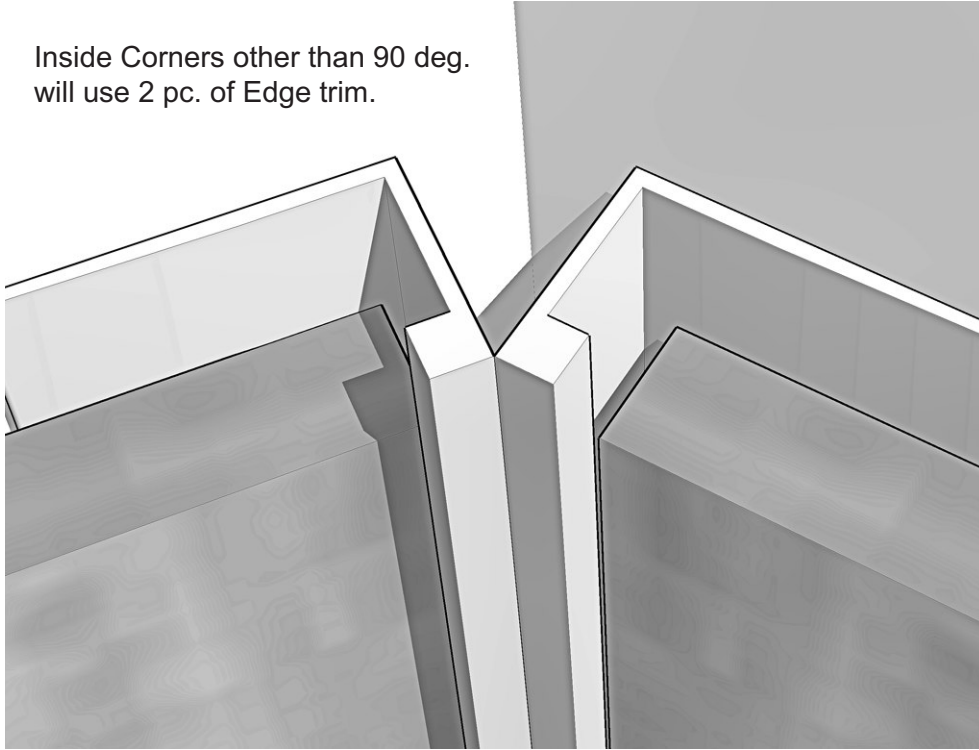


8. ACCESSORIES



9. OTHER

Inside Corners other than 90 deg.
will use 2 pc. of Edge trim.



Outside Corners other than 90 deg.
will use 2 pc. of Edge trim.

